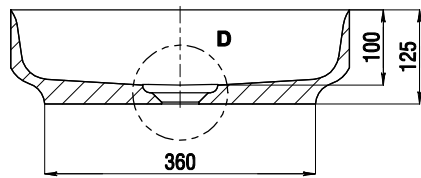
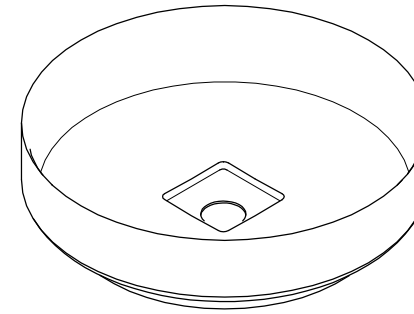
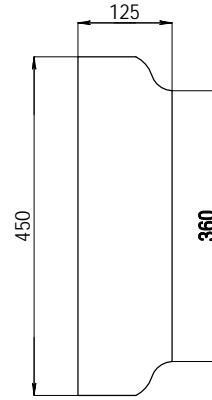
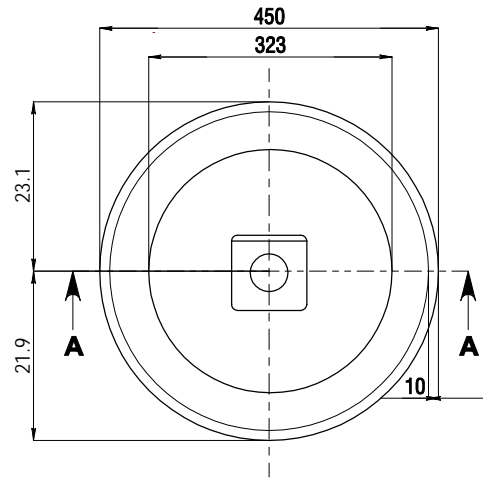
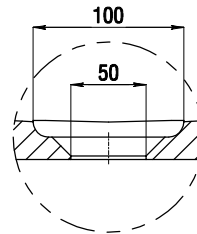


DRAFT COPY

DO NOT SCALE. IF IN DOUBT ASK!



SECTION A-A



DETAIL D
SCALE 1:2

COLOUR
QTY
APPROVED BY:
NAME & SIGNATURE
DATE APPROVED:

NOTES

1. ALL INTERNAL CORNERS TO BE R5 UNLESS OTHERWISE STATED.
2. BASINS IN AUSTRALIA COME WITH GLOSS FINISH ONLY ON SPECIAL ORDER - 8 WEEKS DELAY (SURCHARGE APPLIES). ALL BASINS DO NOT COME WITH A WASTE FITTING.

COPYRIGHT © APPLIES DUPLICATION OF THIS DRAWING OR ANY SPECIFIC DESIGN FEATURES IS NOT PERMITTED WITHOUT WRITTEN AUTHORITY. "COMMERCIAL CONFIDENTIALITY" IS ASSUMED AND REQUIRED.

UNLESS OTHERWISE STATED ALL DIMENSIONS IN MILLIMETERS		MATERIAL: KASKADE STONE	DRAWING NUMBER BONN-450		SCALE 1:1	A4		
DRAWING LEGEND		FINISH: REFER TO ORDER	Product Size 450X450X125		SHEET 1 OF 1	REV. 1		
		N.W. 9.5 kg	Package size		 www.kaskadebaths.de			
		G.W. kg						
		LINEAR / ANGULAR TOLERANCES	DRAWN KASKADE				DATE 02/03/15	
		No Decimals 1 Decimal 2 Decimals	CHK'D				DATE	

1	RELEASE DATE.	KASKADE	02/03/15		
REV	DESCRIPTION	DWG	DATE	CHK'D	DATE