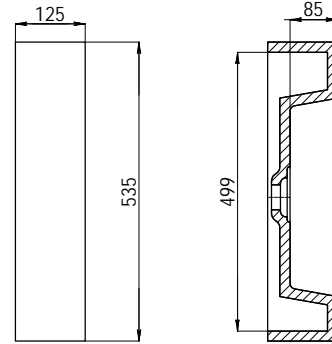
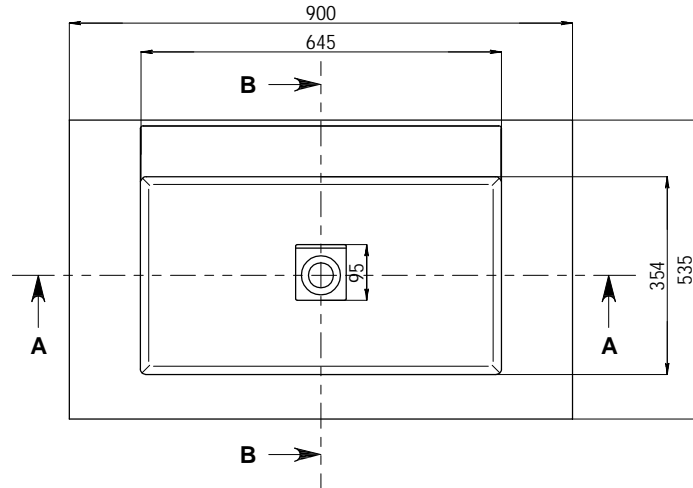
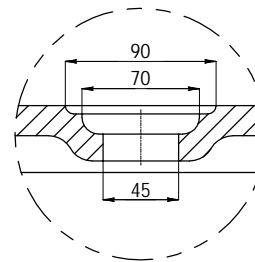
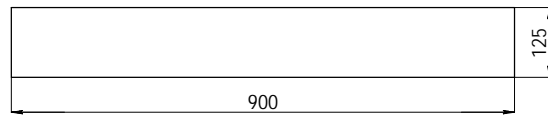
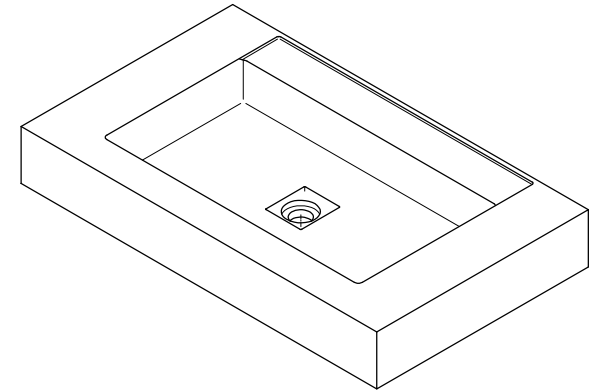


DRAFT COPY

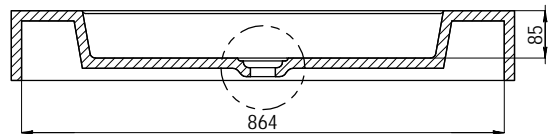
DO NOT SCALE. IF IN DOUBT ASK!



SECTION B-B



DETAIL D
SCALE 1:3



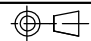
SECTION A-A

COLOUR
QTY
APPROVED BY:
NAME & SIGNATURE
DATE APPROVED:

NOTES

1. ALL INTERNAL CORNERS TO BE R5 UNLESS OTHERWISE STATED.
2. BASINS IN AUSTRALIA COME WITH GLOSS FINISH ONLY ON SPECIAL ORDER - 8 WEEKS DELAY (SURCHARGE APPLIES). ALL BASINS DO NOT COME WITH A WASTE FITTING.

COPYRIGHT © APPLIES. DUPLICATION OF THIS DRAWING OR ANY SPECIFIC DESIGN FEATURES IS NOT PERMITTED WITHOUT WRITTEN AUTHORITY. "COMMERCIAL CONFIDENTIALITY" IS ASSUMED AND REQUIRED.

UNLESS OTHERWISE STATED ALL DIMENSIONS IN MILLIMETERS		MATERIAL: KASKADE STONE	DRAWING NUMBER Como-900	SCALE 1:1	A4
DRAWING LEGEND		FINISH: REFER TO ORDER	Product Size 900X535X125	SHEET 1 OF 1	REV. 1
		N.W kg			
		G.W kg	Package size		
		LINEAR / ANGULAR TOLERANCES	DRAWN KASKADE	DATE 02/03/15	
		No Decimals	1 Decimal	2 Decimals	±3°
		±5		CHK'D	DATE

REV	DESCRIPTION	DWG	DATE	CHK'D	DATE
1	RELEASE DATE.	KASKADE	02/03/15		



KASKADE
STONE
www.kaskadebaths.de