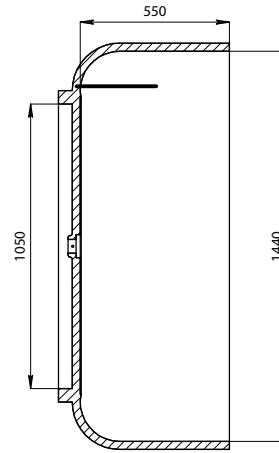
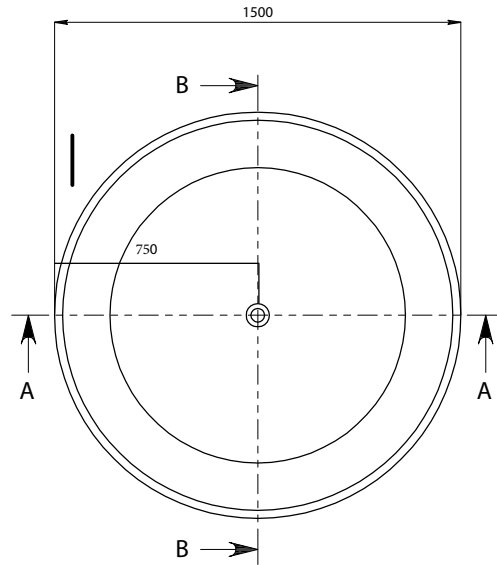
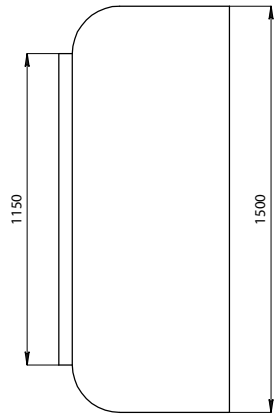
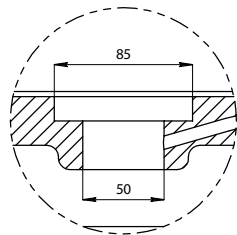
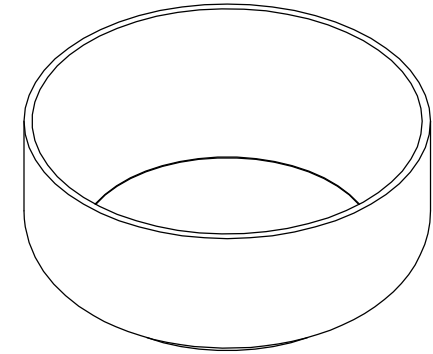


DRAFT COPY

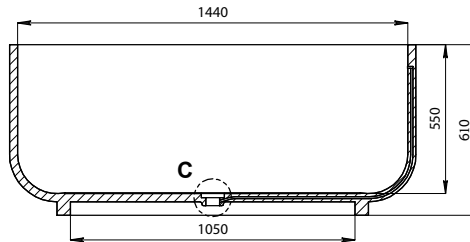
DO NOT SCALE. IF IN DOUBT ASK!



SECTION B-B



DETAIL C
SCALE 1:4



SECTION A-A

COLOUR
QTY
APPROVED BY:
<small>NAME & SIGNATURE</small>
DATE APPROVED:

- NOTES
- ALL INTERNAL CORNERS TO BE R5 UNLESS OTHERWISE STATED.
 - AS ALL KASKADE PRODUCTS ARE HAND FINISHED A 2-5mm TOLERANCE IS ALLOWED.

COPYRIGHT © APPLIES. DUPLICATION OF THIS DRAWING OR ANY SPECIFIC DESIGN FEATURES IS NOT PERMITTED WITHOUT WRITTEN AUTHORITY. "COMMERCIAL CONFIDENTIALITY" IS ASSUMED AND REQUIRED.

UNLESS OTHERWISE STATED ALL DIMENSIONS IN MILLIMETERS		MATERIAL: KASKADE STONE		DRAWING NUMBER: Omnia-RS13(1500)		SCALE 1:1	A4
DRAWING LEGEND		FINISH: REFER TO ORDER		Product Size 1500X1500X630		SHEET 1 OF 1	REV. 1
		N.W. 269 kg	Package size 1620X1620X780		 www.kaskadebaths.de		
		G.W. 342 kg	Package size 1620X1620X780				
		LINEAR / ANGULAR TOLERANCES		DRAWN: KASKADE		DATE: 02/03/15	
		No Decimals 1 Decimal 2 Decimals		CHK'D: DATE:			
		±5 ±3*					

REV	DESCRIPTION	DWG	DATE	CHK'D	DATE
1	RELEASE DATE.	KASKADE	02/03/15		