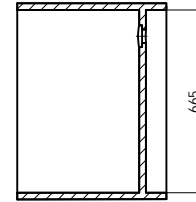
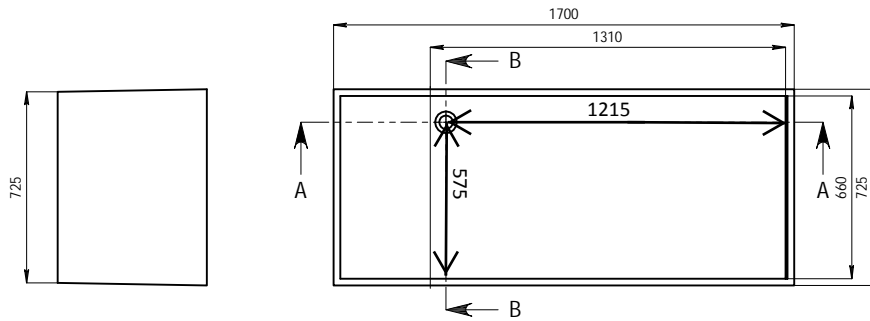
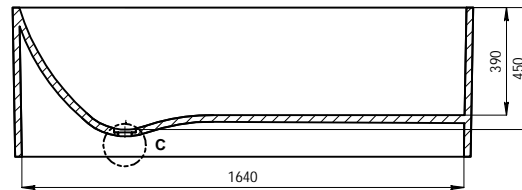
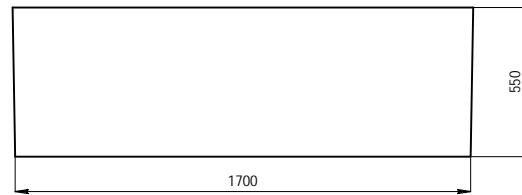
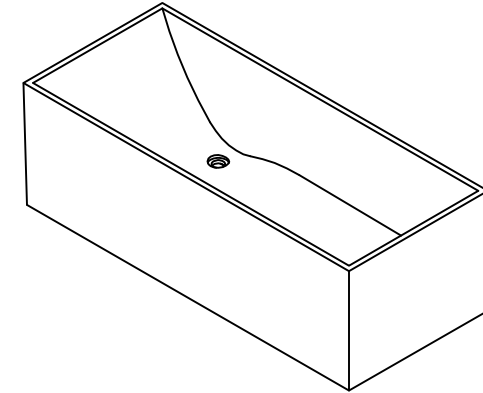


DRAFT COPY

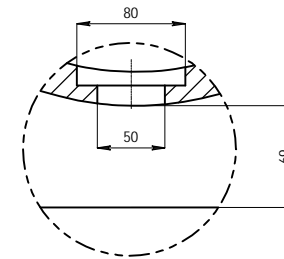
DO NOT SCALE. IF IN DOUBT ASK!



SECTION B-B



SECTION A-A



DETAIL C  
SCALE 1:4

COLOUR
QTY
APPROVED BY:
NAME & SIGNATURE
DATE APPROVED:

- NOTES
1. ALL INTERNAL CORNERS TO BE R5 UNLESS OTHERWISE STATED.
  2. AS ALL KASKADE PRODUCTS ARE HAND FINISHED A 2-5mm TOLERANCE IS ALLOWED.

COPYRIGHT © APPLIES DUPLICATION OF THIS DRAWING OR ANY SPECIFIC DESIGN FEATURES IS NOT PERMITTED WITHOUT WRITTEN AUTHORITY "COMMERCIAL CONFIDENTIALITY" IS ASSUMED AND REQUIRED.

UNLESS OTHERWISE STATED ALL DIMENSIONS IN MILLIMETERS	MATERIAL:	KASKADE STONE		DRAWING NUMBER	Lona-RS23	SCALE 1:1	A4
	FINISH:	REFER TO ORDER				SHEET 1 OF 1	REV. 1
DRAWING LEGEND	N.W	232	kg	Product Size	1700X725X550		
	G.W	282	kg	Package size	1780X860X740		
	LINEAR / ANGULAR TOLERANCES		DRAWN	KASKADE	DATE	02/03/15	
	No Decimal	1 Decimal	2 Decimals	CHK'D	DATE		
	±5					±3°	

REV	DESCRIPTION	DWG	DATE	CHK'D	DATE
1	RELEASE DATE.	KASKADE	02/03/15		

KASKADE  
STONE  
www.kaskadebaths.de