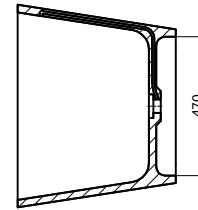
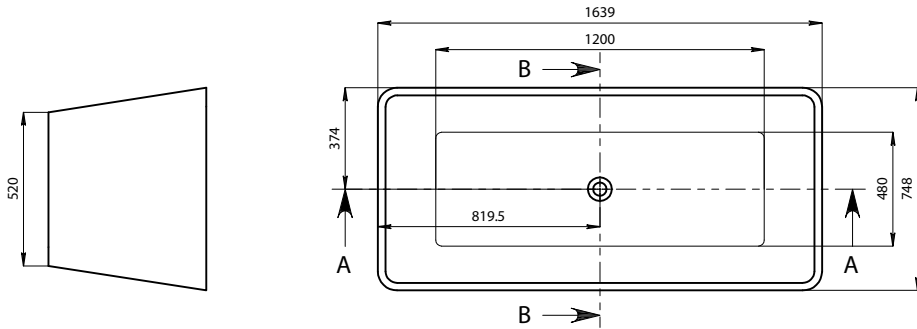
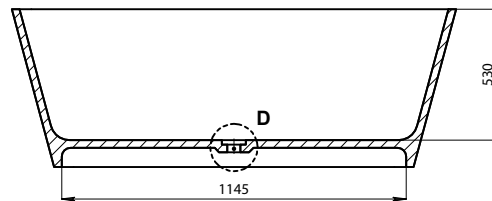
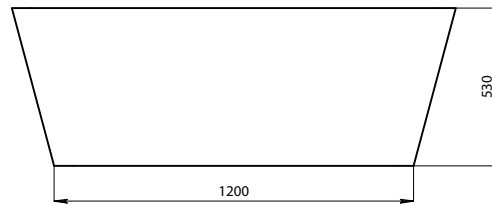
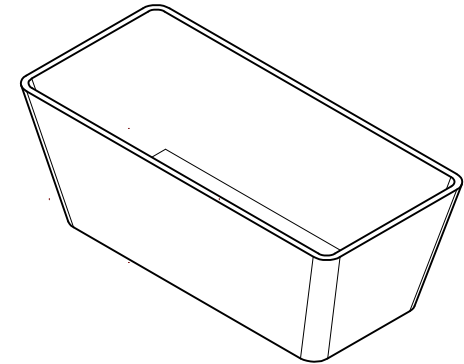


DRAFT COPY

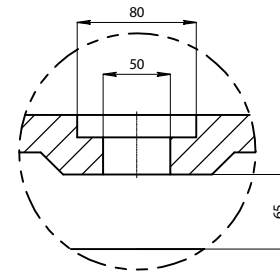
DO NOT SCALE. IF IN DOUBT ASK!



SECTION B-B



SECTION A-A



DETAIL D
SCALE 1:4

COLOUR
QTY
APPROVED BY:
NAME & SIGNATURE
DATE APPROVED:

- NOTES
1. ALL INTERNAL CORNERS TO BE R5 UNLESS OTHERWISE STATED.
 2. AS ALL KASKADE PRODUCTS ARE HAND FINISHED A 2-5mm TOLERANCE IS ALLOWED.

COPYRIGHT © APPLIES. DUPLICATION OF THIS DRAWING OR ANY SPECIFIC DESIGN FEATURES IS NOT PERMITTED WITHOUT WRITTEN AUTHORITY. "COMMERCIAL CONFIDENTIALITY" IS ASSUMED AND REQUIRED.

UNLESS OTHERWISE STATED ALL DIMENSIONS IN MILLIMETERS	MATERIAL:	KASKADE STONE		DRAWING NUMBER	SCALE 1:1	A4
	FINISH:	REFER TO ORDER			Amica MINI-RS5	SHEET 1 OF 1
DRAWING LEGEND	N.W.	148	kg	Product Size	1490X680X530	
	G.W.	190.5	kg	Package size	1560X780X720	
	LINEAR / ANGULAR TOLERANCES		DRAWN	KASKADE	DATE	02/03/15
	No Decimals	1 Decimal	2 Decimals	CHK'D	DATE	
	5			3:		

1	RELEASE DATE.		KASKADE	02/03/15		
REV	DESCRIPTION	DWG	DATE	CHK'D	DATE	

KASKADE
STONE
www.kaskadebaths.de