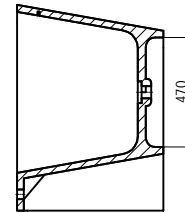
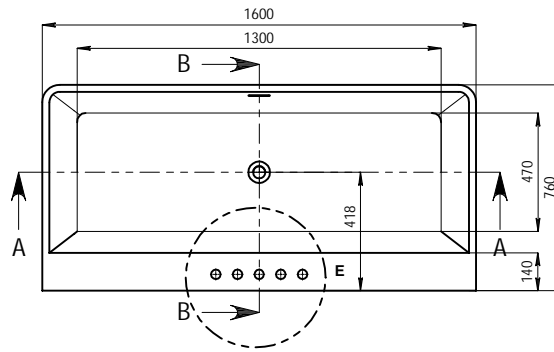
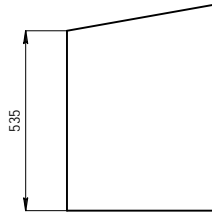
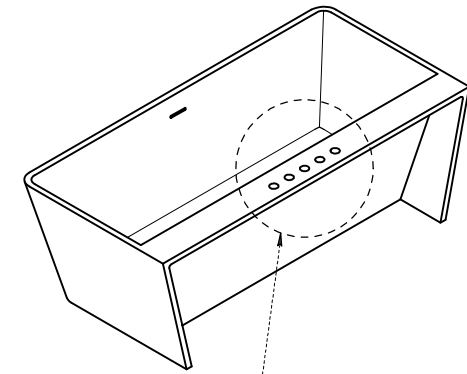


DRAFT COPY

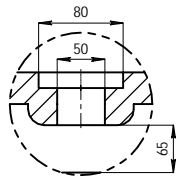
DO NOT SCALE. IF IN DOUBT ASK!



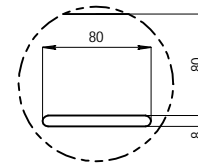
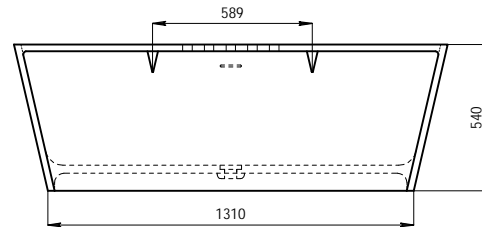
SECTION B-B



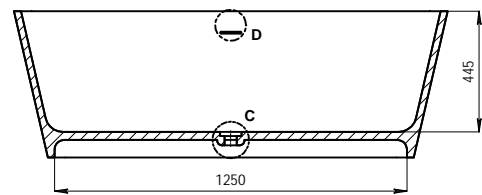
tap holes are optional – please specify on ordering



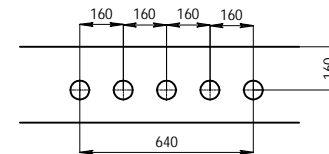
DETAIL C
SCALE 1:3



DETAIL D
SCALE 1:4



SECTION A-A



DETAIL E
SCALE 1:2

COLOUR
QTY
APPROVED BY:
NAME & SIGNATURE
DATE APPROVED:

NOTES

1. ALL INTERNAL CORNERS TO BE R5 UNLESS OTHERWISE STATED.
2. AS ALL KASKADE PRODUCTS ARE HAND FINISHED A 2-5mm TOLERANCE IS ALLOWED.

COPYRIGHT © APPLIES. DUPLICATION OF THIS DRAWING OR ANY SPECIFIC DESIGN FEATURES IS NOT PERMITTED WITHOUT WRITTEN AUTHORITY. "COMMERCIAL CONFIDENTIALITY" IS ASSUMED AND REQUIRED.

UNLESS OTHERWISE STATED ALL DIMENSIONS IN MILLIMETERS	MATERIAL:	KASKADE STONE		DRAWING NUMBER	Fogo-RS7	SCALE 1:1	A4
	FINISH:	REFER TO ORDER		SHEET 1 OF 1	REV 1		
DRAWING LEGEND	N.W	166	kg	Product Size	1600X760X540		
	G.W	225	kg	Package size	1710X900X720		
	LINEAR / ANGULAR TOLERANCES		DRAWN	KASKADE	DATE	02/03/15	
	No Decimal	1 Decimal	2 Decimals	CHK'D	DATE		
	±0.5					±3°	

KASKADE
STONE
www.kaskadebaths.de

REV	DESCRIPTION	DWG	DATE	CHK'D	DATE
1	RELEASE DATE.	KASKADE	02/03/15		