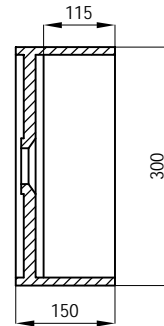
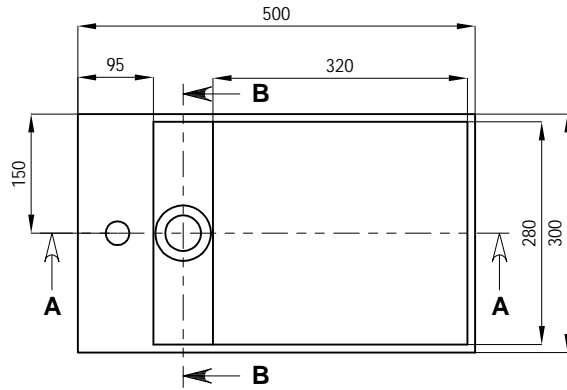
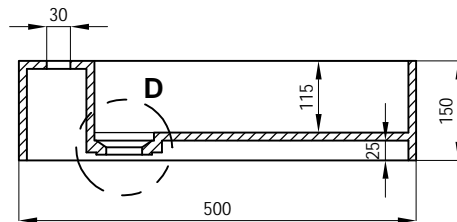
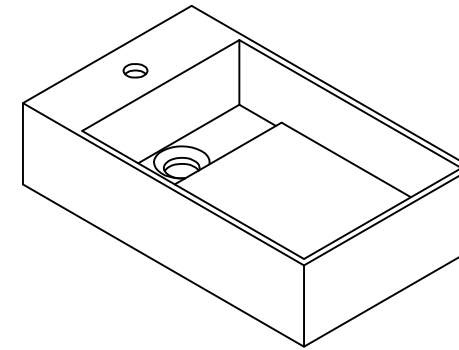


DRAFT COPY

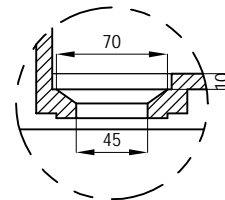
DO NOT SCALE. IF IN DOUBT ASK!



SECTION B-B



SECTION A-A



DETAIL D
SCALE 1:3

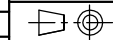
COLOUR
QTY
APPROVED BY:
NAME & SIGNATURE
DATE APPROVED:

NOTES

1. ALL INTERNAL CORNERS TO BE R5 UNLESS OTHERWISE STATED.
2. BASINS IN AUSTRALIA COME WITH GLOSS FINISH ONLY ON SPECIAL ORDER - 8 WEEKS DELAY (SURCHARGE APPLIES). ALL BASINS DO NOT COME WITH A WASTE FITTING.

COPYRIGHT © APPLIES. DUPLICATION OF THIS DRAWING OR ANY SPECIFIC DESIGN FEATURES IS NOT PERMITTED WITHOUT WRITTEN AUTHORITY. "COMMERCIAL CONFIDENTIALITY" IS ASSUMED AND REQUIRED.

UNLESS OTHERWISE STATED ALL DIMENSIONS IN MILLIMETERS	MATERIAL:	KASKADE STONE	DRAWING NUMBER	SCALE 1:1	A4												
	FINISH:	REFER TO ORDER	York-150	SHEET 1 OF 1	REV. 1												
DRAWING LEGEND	N.W	kg	Product Size	500X300X150													
	G.W	kg	Package size														
	LINEAR / ANGULAR TOLERANCES	DRAWN	KASKADE	DATE	02/03/15												
	<table border="1"> <tr> <td>No Decimal</td> <td>1 Decimal</td> <td>2 Decimals</td> <td>±3°</td> <td>CHK'D</td> <td>DATE</td> </tr> <tr> <td>±5</td> <td></td> <td></td> <td></td> <td></td> <td></td> </tr> </table>	No Decimal	1 Decimal	2 Decimals	±3°	CHK'D	DATE	±5									
No Decimal	1 Decimal	2 Decimals	±3°	CHK'D	DATE												
±5																	



REV	DESCRIPTION	DWG	DATE	CHK'D	DATE
1	RELEASE DATE.	KASKADE	02/03/15		