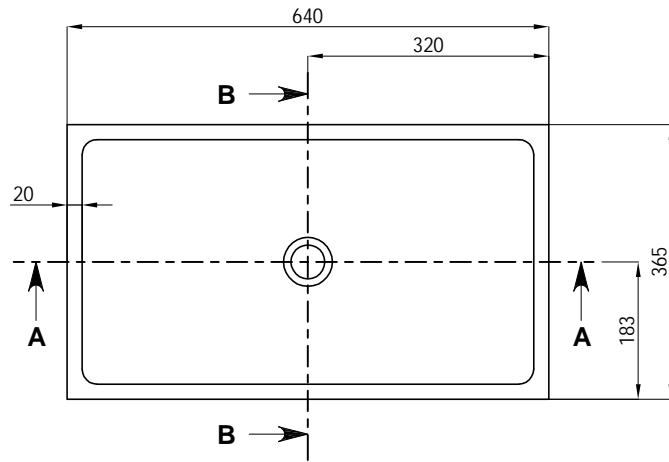
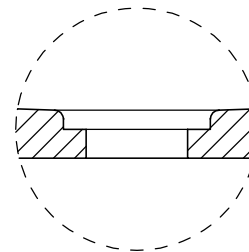
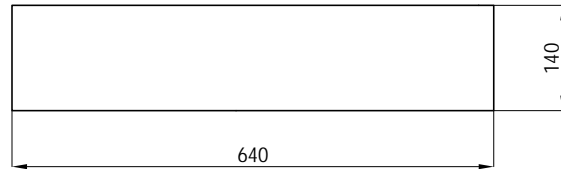
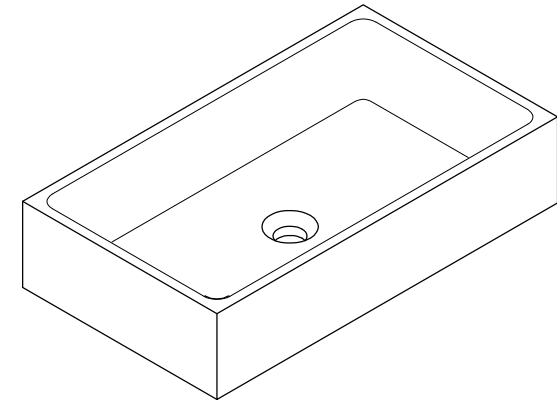
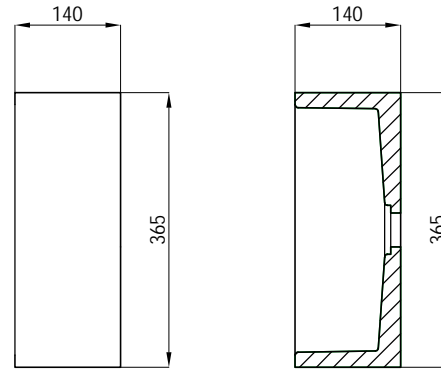


DRAFT COPY

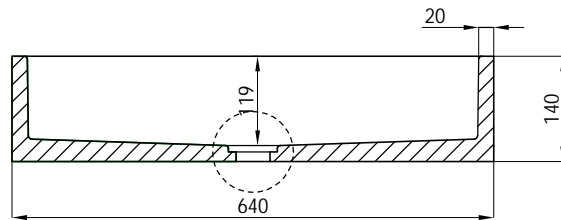
DO NOT SCALE. IF IN DOUBT ASK!



SECTION B-B



DETAIL D  
SCALE 1:3



SECTION A-A

COLOUR
QTY
APPROVED BY:
NAME & SIGNATURE
DATE APPROVED:

COPYRIGHT © APPLIES. DUPLICATION OF THIS DRAWING OR ANY SPECIFIC DESIGN FEATURES IS NOT PERMITTED WITHOUT WRITTEN AUTHORITY. "COMMERCIAL CONFIDENTIALITY" IS ASSUMED AND REQUIRED.

UNLESS OTHERWISE STATED ALL DIMENSIONS IN MILLIMETERS	MATERIAL:	KASKADE STONE		DRAWING NUMBER	TOP	SCALE 1:1	A4
	FINISH:	REFER TO ORDER				SHEET 1 OF 1	REV. 1
DRAWING LEGEND	N.W	kg	Product Size	640X365X140			
	G.W	kg	Package size				
	LINEAR / ANGULAR TOLERANCES		DRAWN	KASKADE	DATE	02/03/15	
	No Decimals	1 Decimal	2 Decimals	CHK'D	DATE		
	±5					±3°	

- NOTES
- ALL INTERNAL CORNERS TO BE R5 UNLESS OTHERWISE STATED.
  - BASINS IN AUSTRALIA COME WITH GLOSS FINISH ONLY ON SPECIAL ORDER - 8 WEEKS DELAY (SURCHARGE APPLIES). ALL BASINS DO NOT COME WITH A WASTE FITTING.

REV	DESCRIPTION	DWG	DATE	CHK'D	DATE
1	RELEASE DATE.	KASKADE	02/03/15		

**KASKADE**  
STONE  
www.kaskadebaths.de