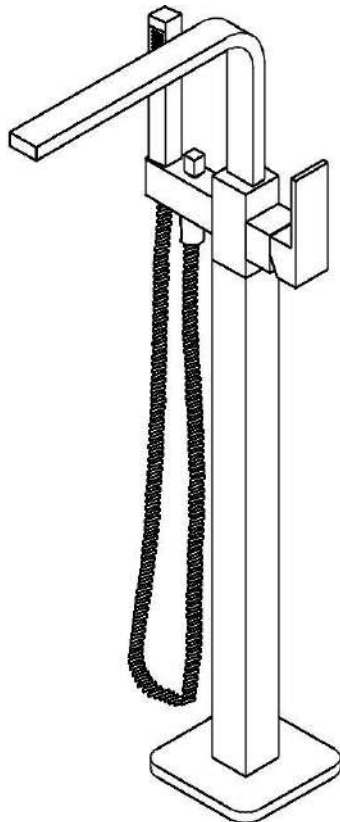


# Installation manual and care guide

MB08

---



### **Care and Cleaning Instructions**

Do not apply physical items (such as tools) directly to the product as this may cause irreparable scratches.

Never use detergents, harsh cleaning products, citrus based cleaners, acidic chemicals, or abrasive cleaners.

Where your tapware remains dry in use, a soft cloth can be used to remove surface dust or wipe over with warm soapy water using only soft or microfiber fabric.

Use of wax based furniture cream should be avoided as these can result in a build-up of deposits, which could detract from the appearance.

Do not use undue pressure and try to wipe in one direction only.

### **Installation and testing**

Do not install tapware using any form of acetone silicones.

Cartridges and diverters are tested and assembled prior to dispatch; no self-assembly and disassembly is required.

All underground components should undergo a 30-minute water test under 0.8pa before sealing. The water test should be conducted with close attention and with no signs of water leak. The installer is deemed responsible for any concealed leaks that are identified after installation.

Underground pipes should be installed strictly as per the installation manual; exchanging any parts supplied with the product is strictly prohibited and will void the warranty.

MAXIMUM: Temperature 75 degrees & Pressure – 1,000kPa.

MINIMUM: Temperature –3 degree & Pressure – 150kPa.

Note: AS/NSZ 3500.1-2003 (Clause 3.3.4) specifies 500kPa maximum water supply pressure at any outlet within a building for new installations.

Water pipes must be cleaned and flushed before installation. Impurities could destroy the cartridge, diverter, and aerator.

Gloves should be used and tools should not contact the product during or after installation as this may damage the shape or finish.

### **Problems and Solutions**

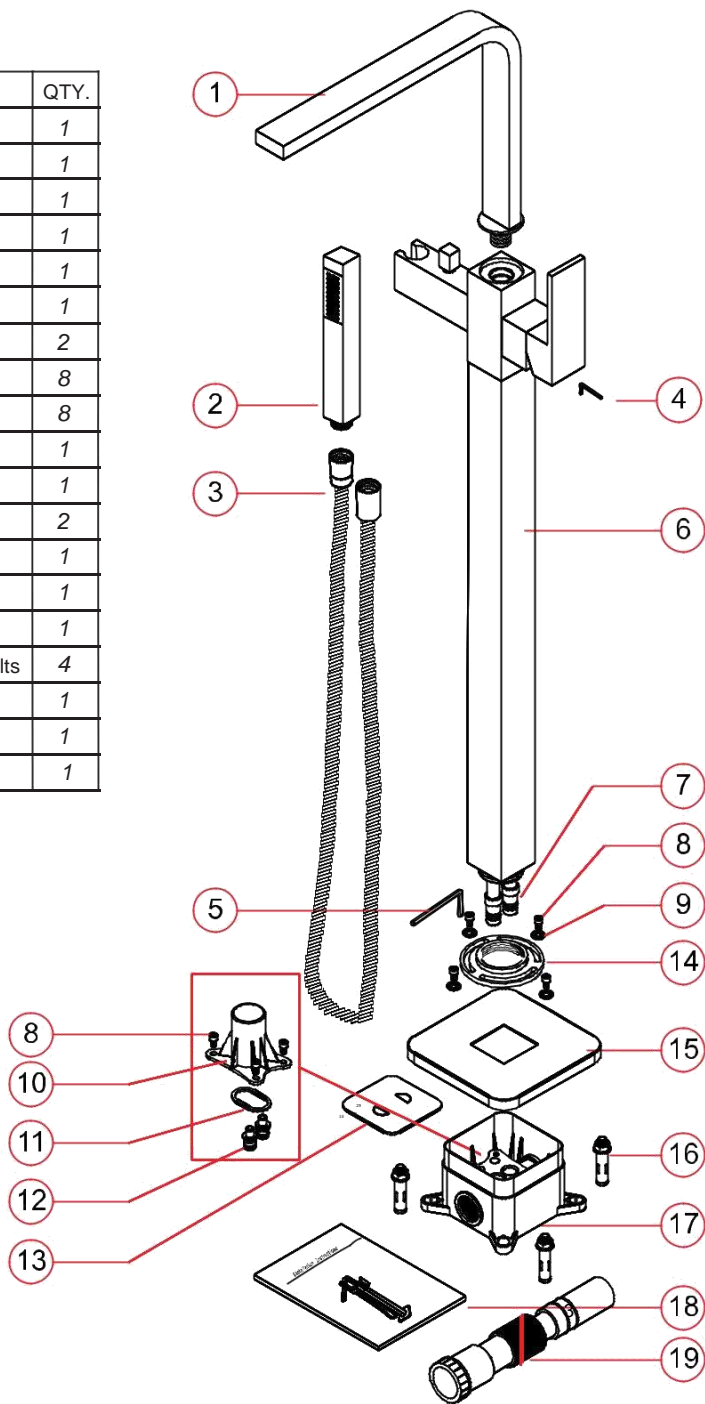
If the water is not flowing as intended, please ensure the angle valve is opened fully.

If the water flow is coming out in an irregular stream, carefully remove and clean the aerator.

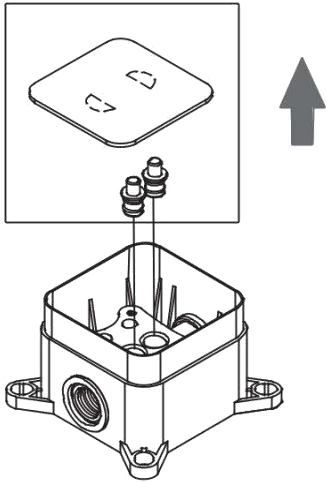
If the water temperature is not adjustable (changing from hot to cold or cold to hot), please ensure the angle valve and connection pipe is correctly installed.

## Component List

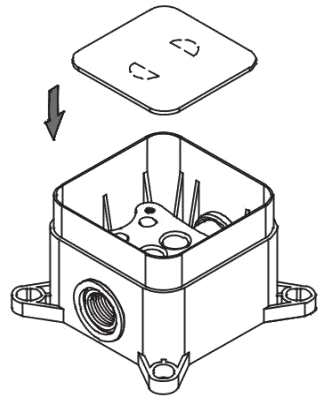
	Name	QTY.
1	spout	1
2	hand shower	1
3	hose	1
4	S2mm hex wrench	1
5	S4mm hex wrench	1
6	connecting pipe	1
7	water inlet pipe	2
8	M5x15 hex bolt	8
9	M5 washer	8
10	water test base	1
11	rubber ring	1
12	rubber water stop	2
13	dustproof cover	1
14	fixing nut	1
15	rosette	1
16	expansion anchor bolts	4
17	plastic box	1
18	manual	1
19	water pipe	1



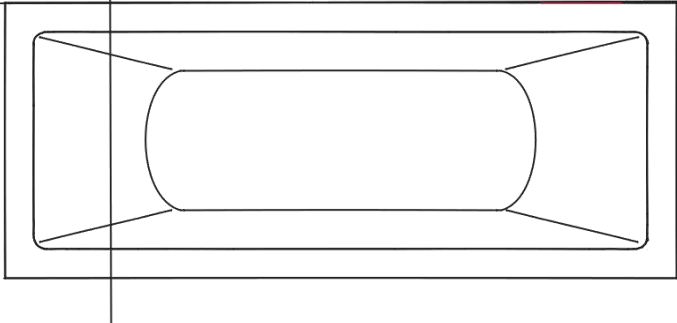
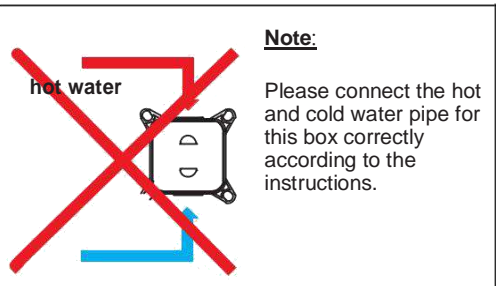
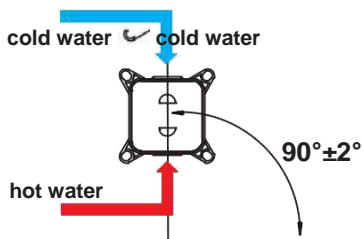
Disassemble and remove

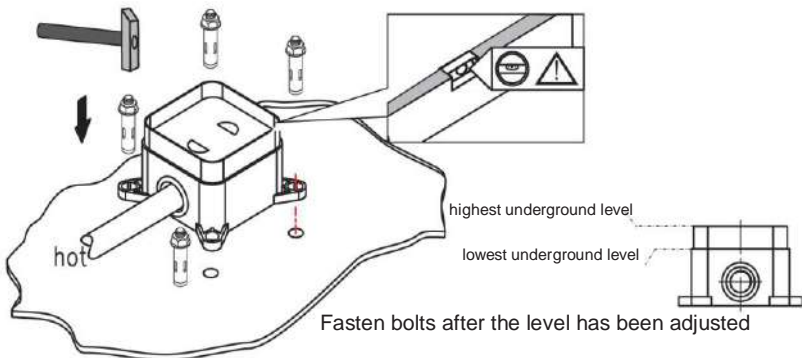
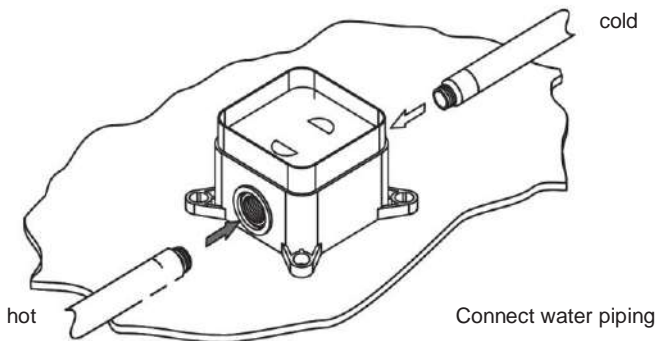
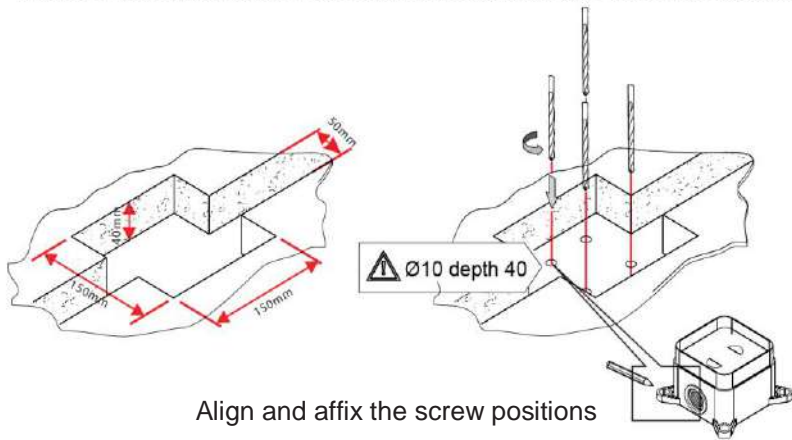


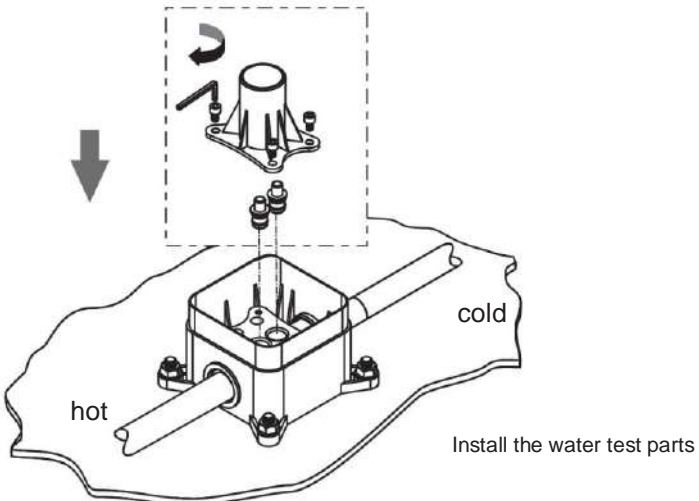
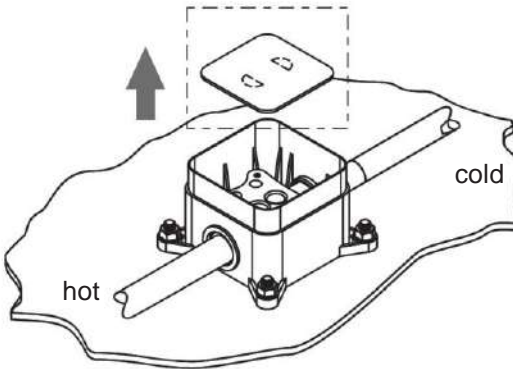
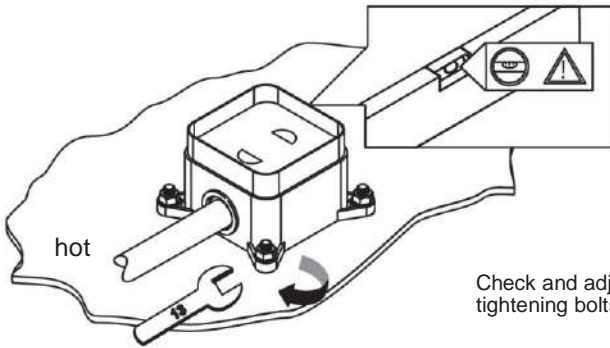
Insert the dustproof cover

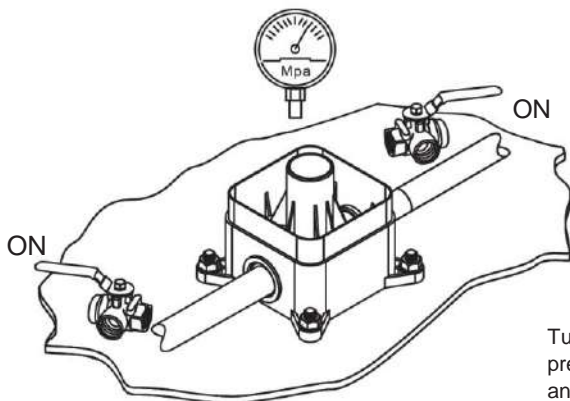


Align and position the tap

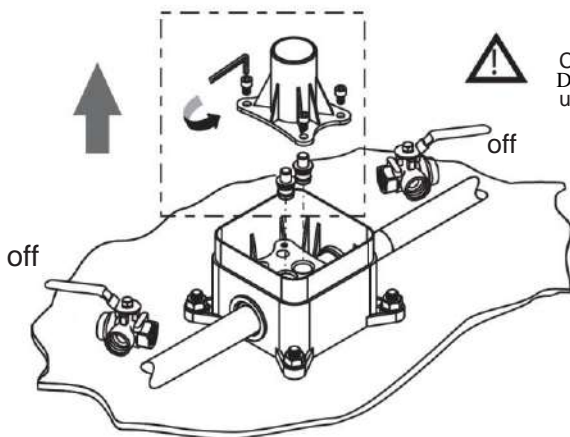






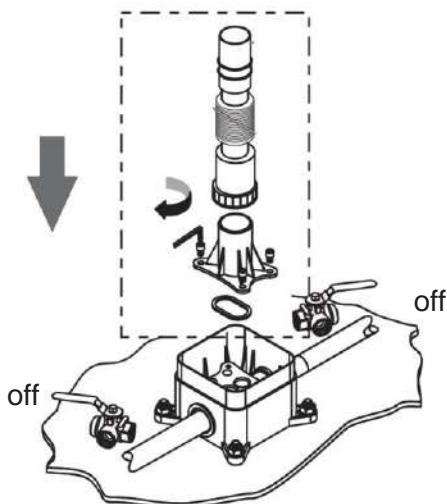


Turn the water on below 0.8Mpa of pressure. Maintain for 30 minutes and check for water leaks.

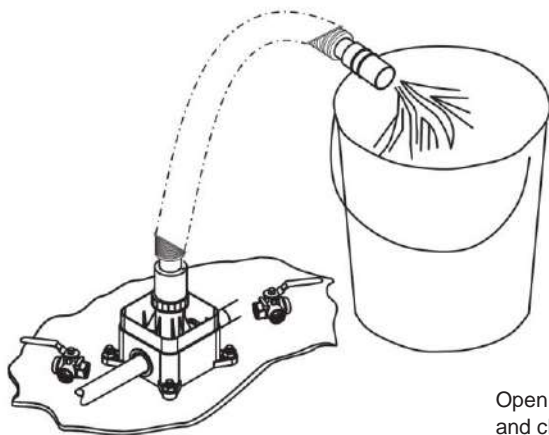


Caution:  
Decompress the water before unfastening screws.

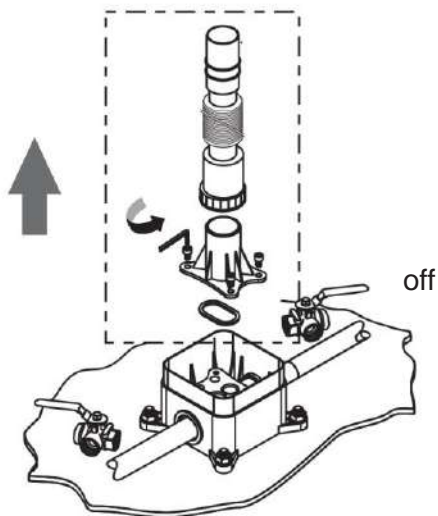
Turn off the water and remove the testing parts.



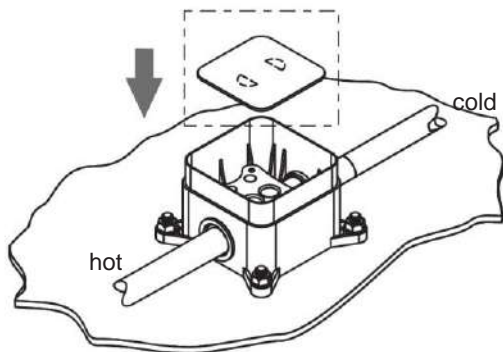
Install the pipe cleaning parts.



Open the valve to flush the water and clean the pipes

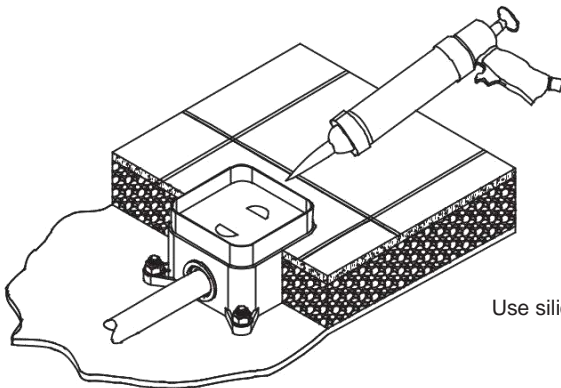


Turn off the valve and remove the pipe cleaning parts.

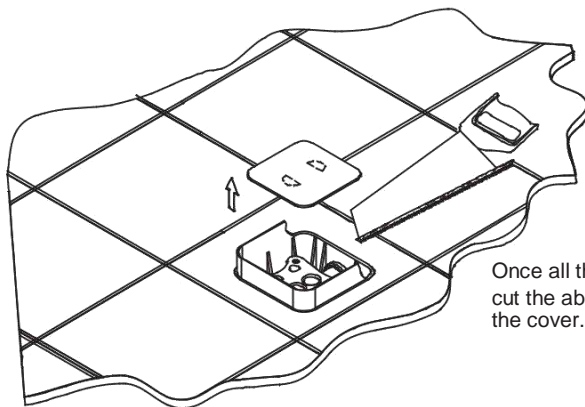


Replace the cover

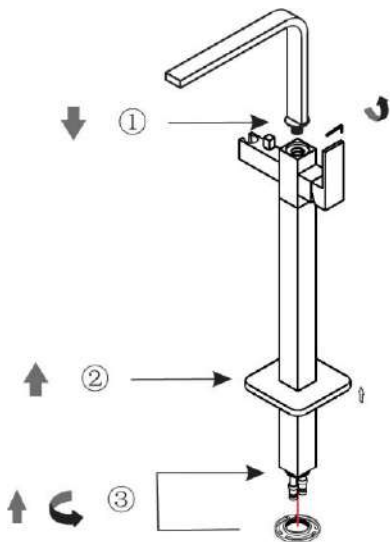




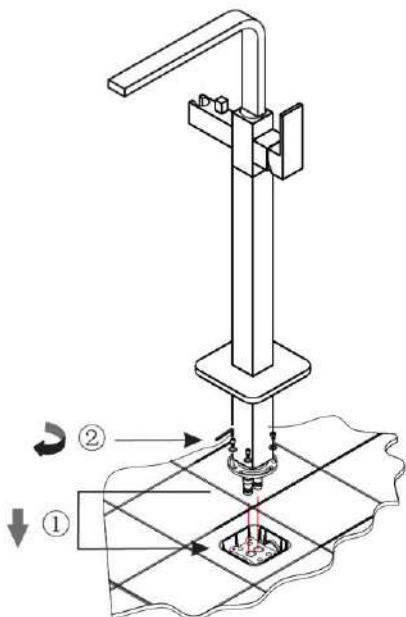
Use silicon to close tile gaps.



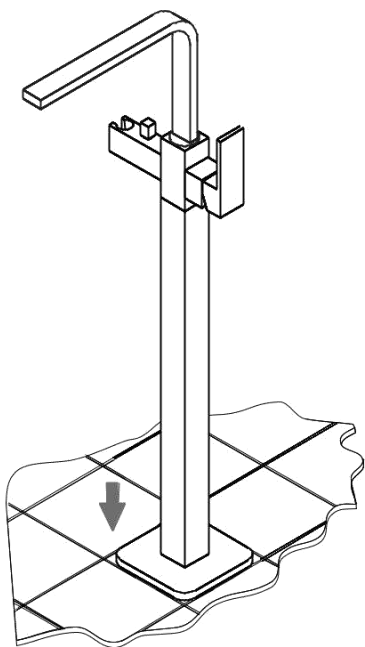
Once all the materials have dried,  
cut the above-ground parts and remove  
the cover.



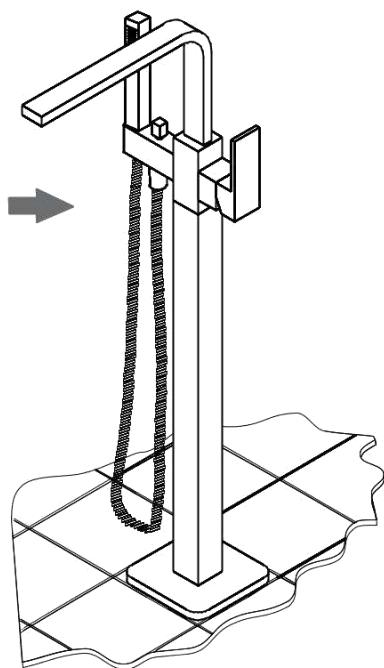
- ① Fasten the spout to the connection pipe.
- ② Install the rosette and be careful to avoid scratching.
- ③ Fasten the brass nut to the Body. Use thread glue if required.



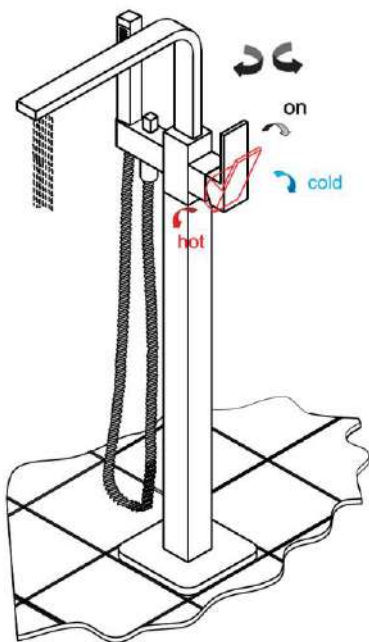
- ① Insert the 2 water pipes in the tap holes in the plastic box underground.
- ② Fasten the brass nut by 4 screws.



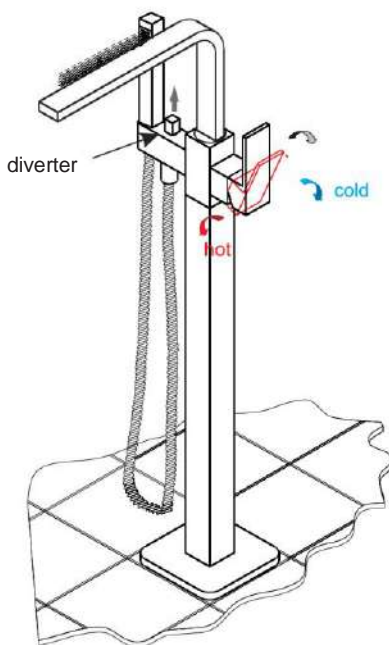
Push the rosette smoothly and firmly down.



Install the hand shower and hose.



The unit can be rotated 360°



Switch between the spout and hand shower by using diverter.