

# MW08JL

## WALL TOP ASSEMBLY

# meir®

**MATTE BLACK**  
MW08JL

**CHROME**  
MW08JL-C

**CHAMPAGNE**  
MW08JL-CH

**TIGER BRONZE**  
MW08JL-BB

### AVAILABLE FINISHES



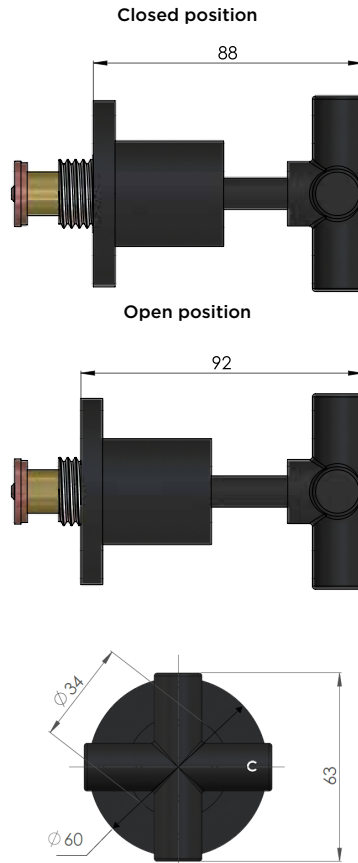
### FEATURES

- 10 Year warranty
- Jumper-valve spindle
- Solid brass construction
- Box Weight 1Kg

### CARE

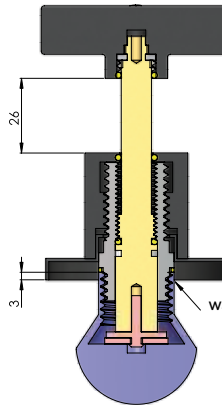
- Do not install tapware using any form of acetone silicones.
- Do not apply physical items (such as tools) directly to product.
- Never use house-hold or commercial detergents, citrus based cleaners, or abrasive cleaners.
- Clean using a mild washing soap solution rinsed, and dry with a soft cloth.
- Check for any product defects before installation.
- Refer to the installation manual for correct installation.

### SPECIFICATIONS

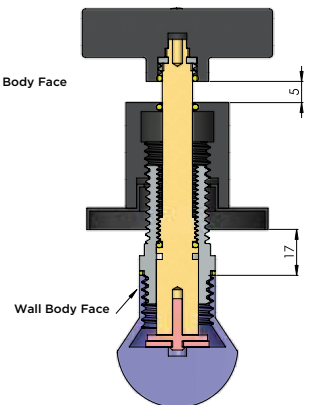


### TOLERANCES

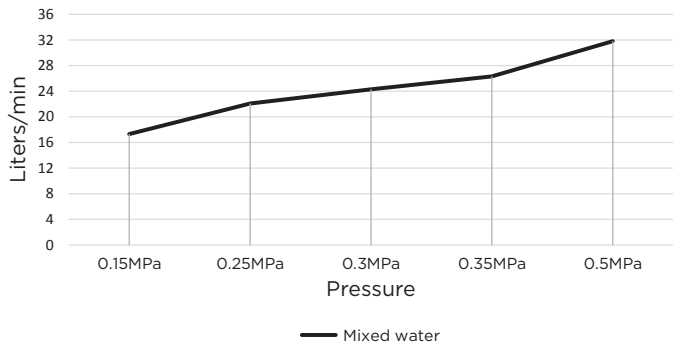
Tolerance below body face



Tolerance above body face

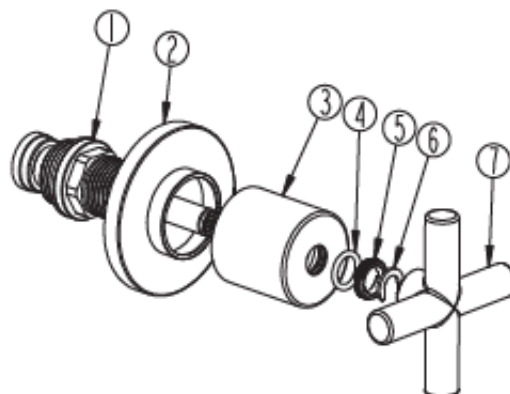


### FLOW RATE GRAPH



### CREDENTIALS

- Watermark AS/NZS 3718 WMKA25013



- 1 Jumper valve
- 2 Back plate
- 3 Base
- 4 O-ring
- 5 Nut
- 6 Washer
- 7 Handle